

Technical Specifications

Power supply	9 ... 28VDC or 2x 1.5V AAA batteries
Power consumption	battery: typ. 0.02mW, max. 50mW external power supply: typ. 65mW, max. 85mW
Power loss	max. 85mW
Battery lifetime	up to 2 years
Interfaces	Loxone Air: 868MHz (SRD Band Europe), 4 channels available 915MHz (ISM Band Region 2), 10 channels available max. Power 3.16mW
Ambient temperature	-20 ... 55°C / -4 ... 131°F
Humidity	max. 95% r.H. (non condensing)
Temperature detection range	-40 ... 125°C / -40 ... 257°F; +/- 0.5°C / 0.9°F
Humidity detection range	0 ... 100% r. H. +/- 2% (non condensing)
Safety rating	IP20
Dimensions	80x80x18mm / 3.15x3.15x0.71" (LxWxH)
Maintenance & Cleaning	This device is free of main- tenance and may only be cleaned with a dry cloth.

LOXONE

Need Help?

loxone.com/support

Loxone Electronics GmbH
Smart Home 1
4154 Kollerschlag
Austria

loxone.com



V220420

LOXONE



Room Comfort Sensor Air

Part No: 100264 (White)
Part No: 100265 (Anthracite)

About the product

The Room Comfort Sensor Air ensures rooms are always comfortable, by measuring temperature and humidity. Together with the Miniserver, this information can be used to control, monitor and record statistics for the temperature and air quality in a room.

Features

- Temperature sensor
- Humidity sensor

Installation

You can power your Room Comfort Sensor Air by using the AAA batteries provided or by powering it up with SELV. If using batteries, pull off the orange/white Power Supply clamp and insert the provided AAA batteries. There are two mounting options, freestanding and wall-mounted. To configure for freestanding use, attach the back cover provided. If wall-mounted, you have the option to use SELV to power your device. Fix the mounting plate to your back box.

If powering by SELV, connect power to the Room Comfort Sensor Air through the frame. Place the Room Comfort Sensor including the frame on top of the mounting plate and gently push to clip into place. Once powered up, configure the Room Comfort Sensor in the usual easy way with Loxone Config.

This folder is a part of the product!



For additional information, declaration of conformity, visit www.loxone.com/help/room-comfort-sensor-air

Connection

Wire cross-section	0.25 ... 0.8mm ² / AWG18 ... 23
Stripping length	5mm / 0.2"
Temperature resistance	-40 ... 105°C / -40 ... 221°F
Orange / White	+ 24VDC / GND

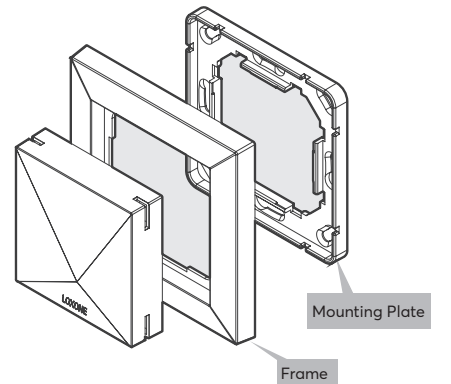
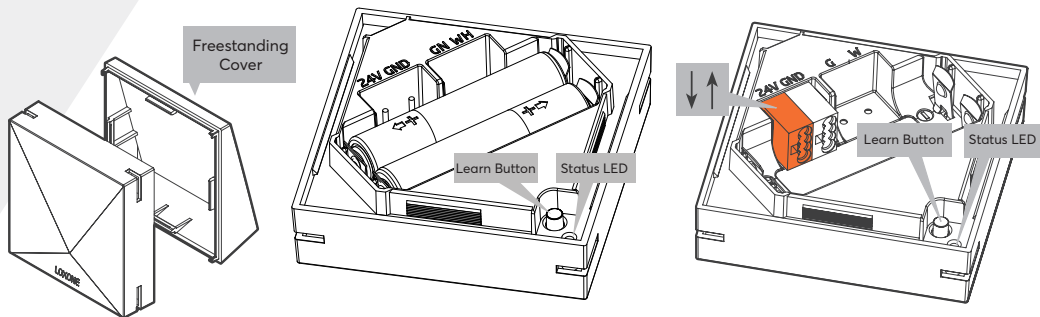
Information

Contains FCC ID: COR-ZWIR4512AC1

This device complies with part 15 of the FCC Rules.

Operation is subject to the following two conditions:

1. This device may not cause harmful interference
2. This device must accept any interference received, including interference that may cause undesired operation



Freestanding Cover

Learn Button

Status LED

Learn Button

Status LED

Mounting Plate

Frame