

Technical Specifications

Power supply	via Nano IO Air
Power consumption	typ. 0.02W, max. 0.6W (while reading NFC)
Power loss	0.6W
Ambient temperature	-20 ... 70°C / -4 ... 158°F
Humidity	max. 95% r.H. (non condensing)
Touch points	capacitive touch detection
Click feedback	Yes
Access possibilities	NFC, Key code
Safety Rating	IP20
Maintenance & Cleaning	This device is free of maintenance and may only be cleaned with a dry cloth.

LOXONE

LOXONE

Need Help?

loxone.com/support



NFC Code Touch for Nano

Part No: 100301 (White)
Part No: 100307 (Anthracite)

Loxone Electronics GmbH
Smart Home 1
4154 Kollerschlag
Austria

loxone.com



V140420

About the product

Get access with encrypted or unencrypted NFC tags, via your NFC enabled smartphone or through your own unique key code.

Features

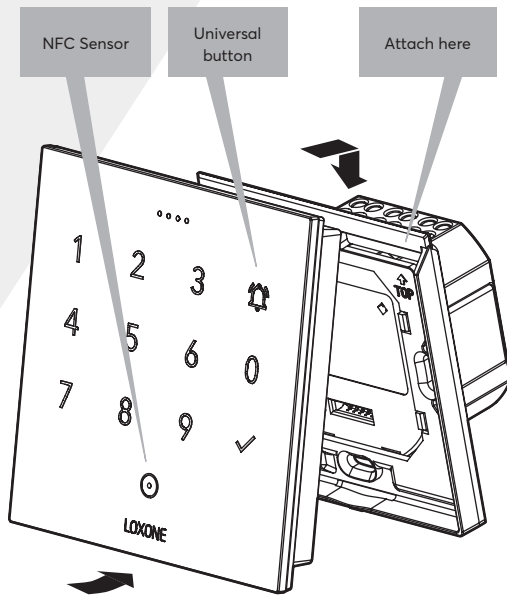
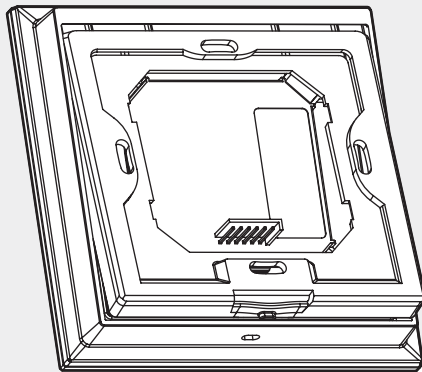
- Authentication via encrypted and unencrypted NFC Tags or NFC enabled smartphones or key code
- Supports permanent, disposable or time-limited key codes
- Universal button
- Alarm-authentication

Important Information

For security reasons, we strongly suggest you only use encrypted NFC tags for access control from Loxone.

Installation

Attach the mounting frame of the NFC Code Touch to the Nano IO Air. Install the Nano IO Air in an appropriate installation box and fix the mounting frame to it. To finish the installation attach the NFC Code Touch as shown on the mounting frame.



For additional information, declaration of conformity, visit www.loxone.com/help/nfc_code_touch